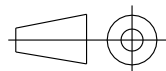
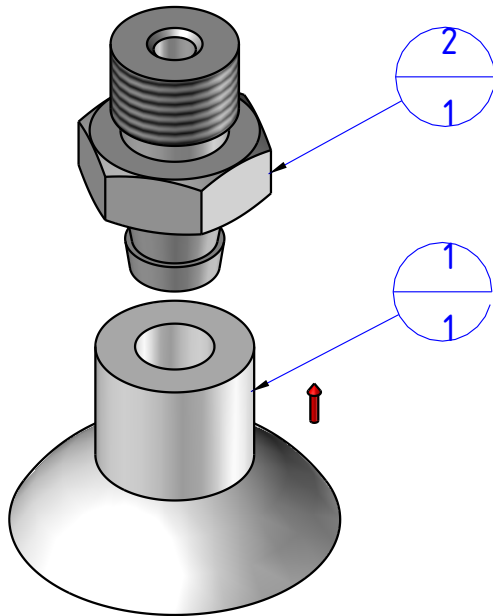
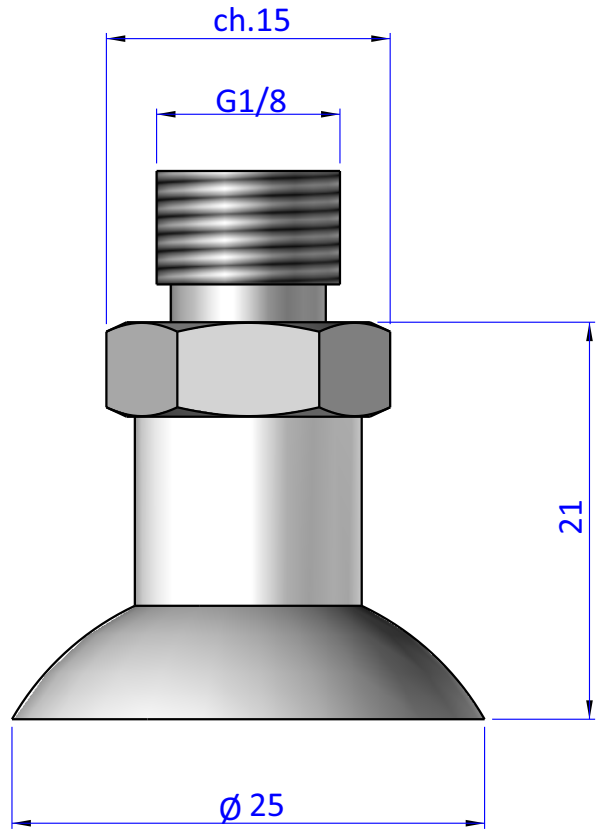


THE PROPERTY OF THE DRAWING IS ESTABLISHED BY LAW. IT IS FORBIDDEN TO PRODUCE OR SHOW IT TO THIRD PART. WITHOUT A WRITTEN AGREEMENT.

Item	Name	Q.ty
1	CA.08.03.007	1
2	CA.08.09.010	1



DESIGNED FROM		REVIEW
FPS Automation		A
DATE	WEIGHT	
04/11/2020	0,006kg	
CODE		
KIT.08.03.D25.10		

Format A4	GENERAL TOLERANCE
UNI 936-76	UNI - ISO 2768
	CLASSE f

DESCRIPTION
KIT.08.03.D25.10